

S/M No. : FR3500010

Service Manual

Refrigerator

Model: **FR-350**

FR-351

FR-385

FR-386

✓ **Caution**

: In this Manual, some parts can be changed for improving, their performance without notice in the parts list. So, if you need the latest parts information, please refer to PPL(Parts Price List) in Service Information Center (<http://svc.dwe.co.kr>).



DAEWOO ELECTRONICS CO., LTD.

DAEWOO

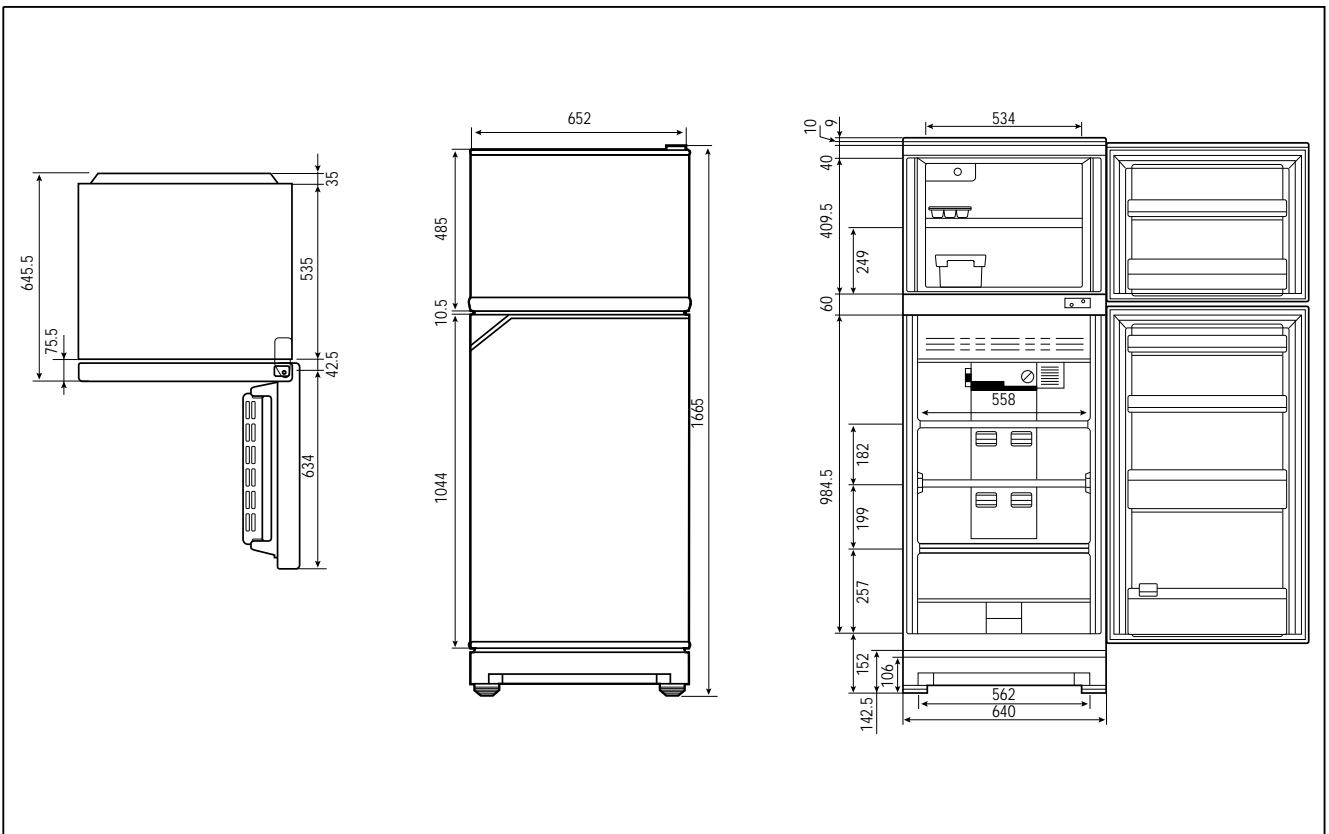
1. Specification -----	1
2. External view -----	2
3. Wire diagram -----	4
4. Name of parts-----	5
5. Air flow diagram-----	6
6. Refrigerant cycle diagram -----	7
7. Machine room view and part list-----	9
8. Main components -----	10
9. Door color specification -----	13
10. Exploded view and parts list -----	16

1. SPECIFICATION

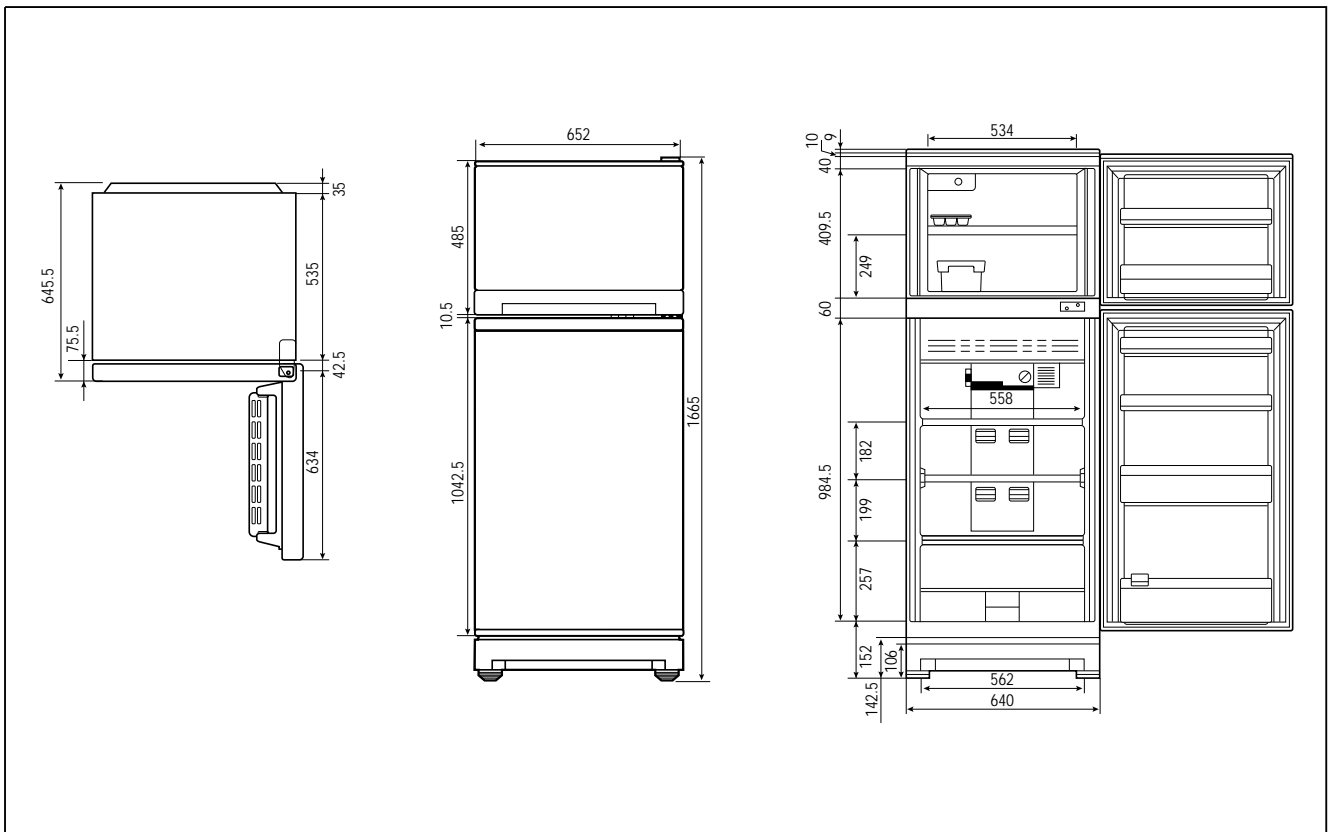
MODEL NAME		FR-350	FR-351	FR-385	FR-386
Refrigerant	R12	150g	150g	150g	150g
	R134a	125g	125g	125g	125g
Cooling System		Fan Cooling Convection Type			
Refrigeration System		Air Forced Convection			
Defrost System		Forced Fin-aporator Type			
Defrost Operation		Automatic Start & Stop			
Cold Control		Adjustable Dial			
Capacity	Freezer	73 ℓ	73 ℓ	83 ℓ	83 ℓ
	Refrigerator	266 ℓ	266 ℓ	245 ℓ	245 ℓ
	Total	339 ℓ	339 ℓ	328 ℓ	328 ℓ
External Dimension	Height	1665mm	1665mm	1689mm	1689mm
	Width	652mm	652mm	652mm	652mm
	Depth	646mm	646mm	666mm	666mm
Net Weight		65Kg	65Kg	70Kg	70Kg

2. EXTERNAL VIEW

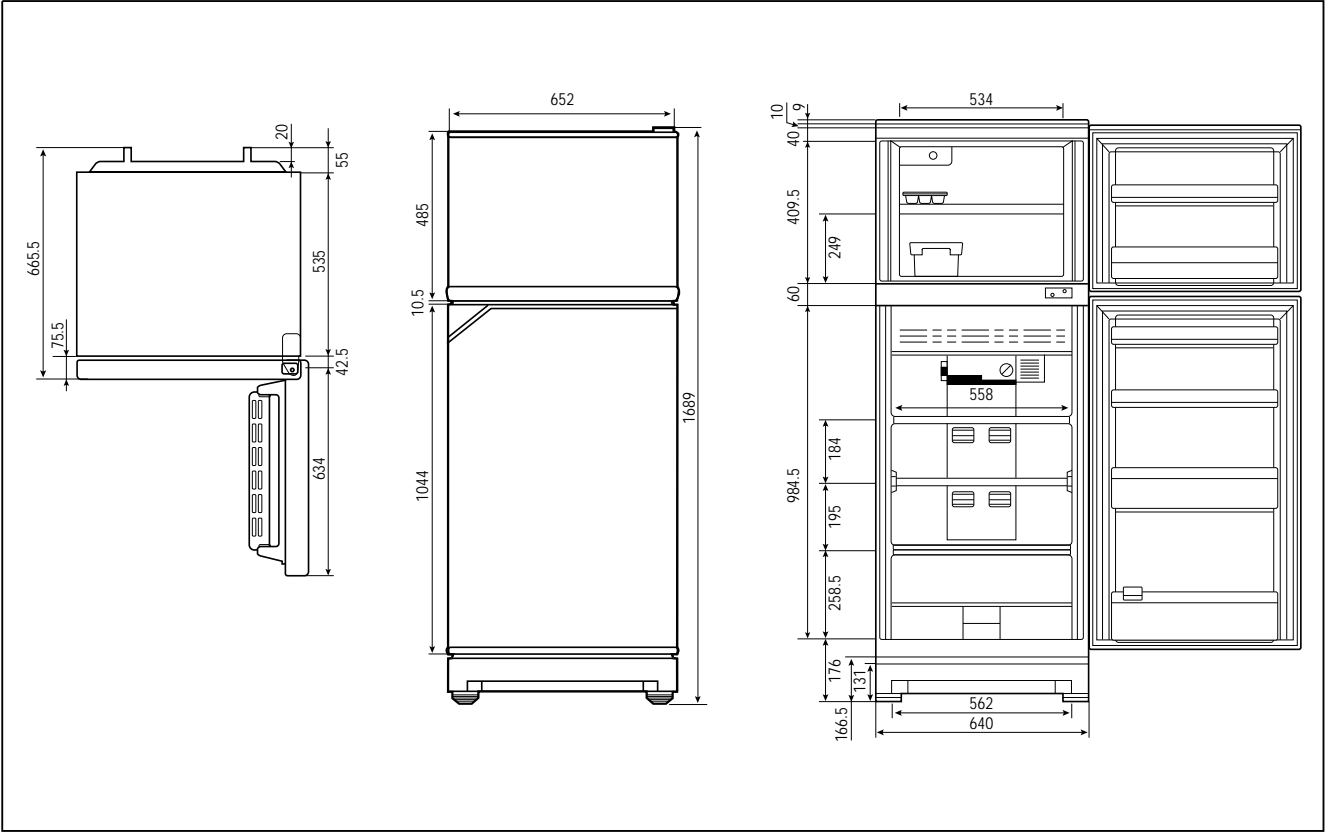
FR-350



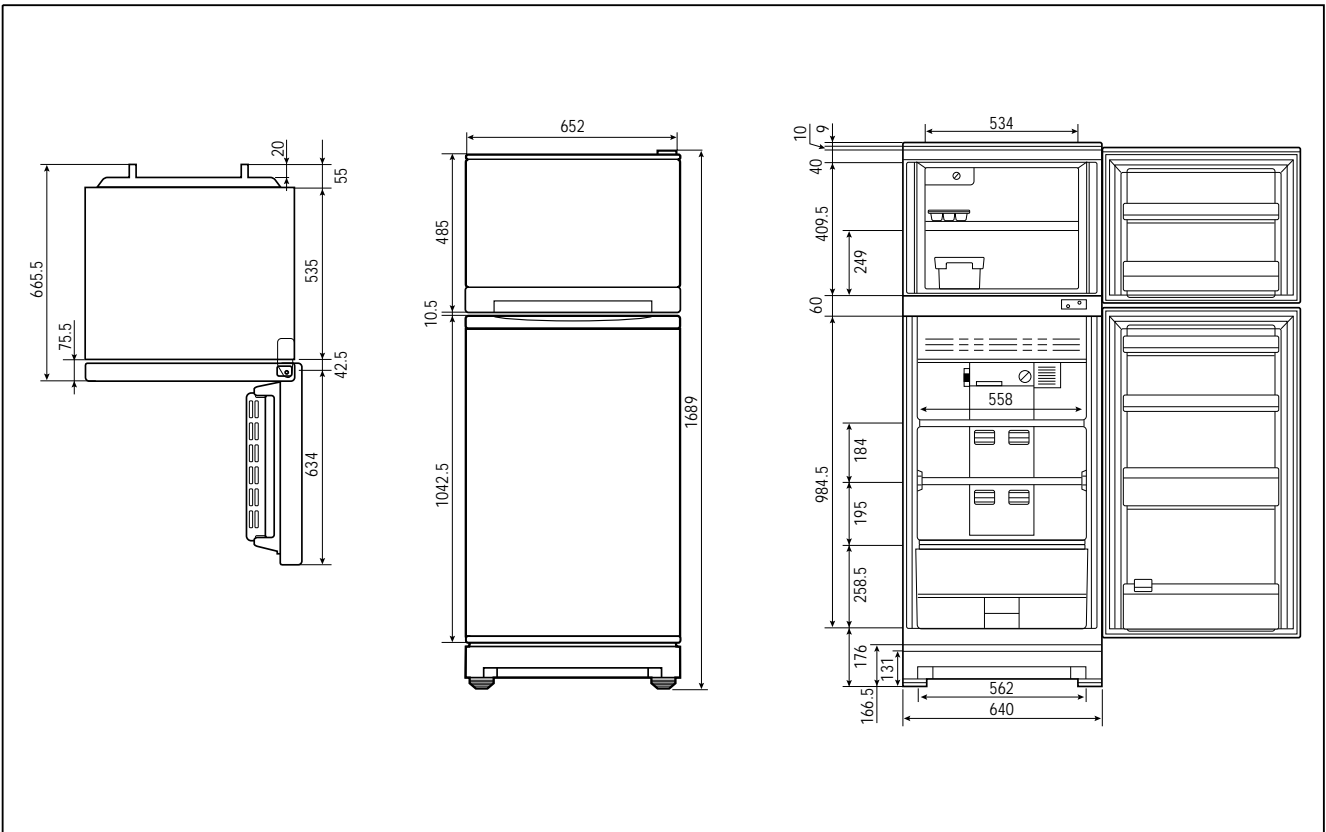
FR-351



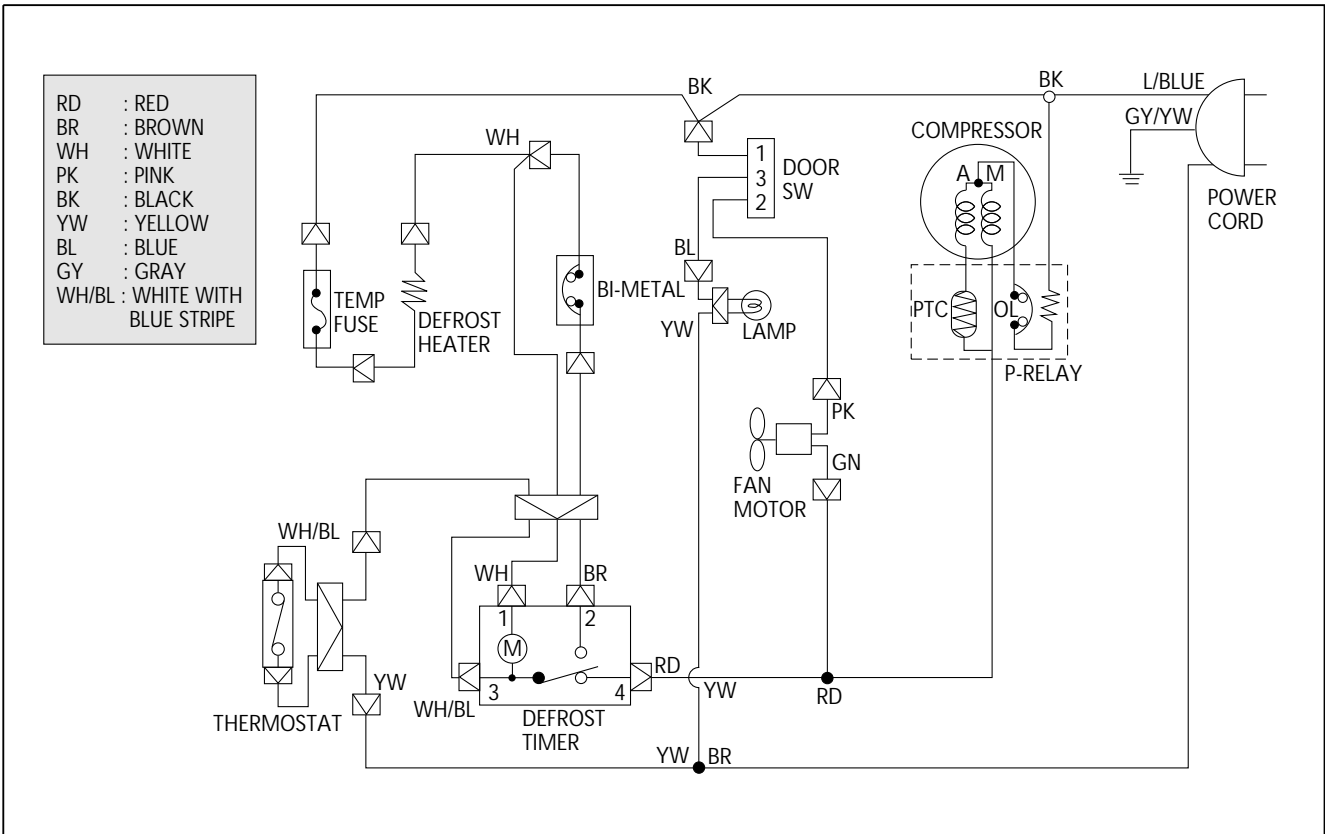
FR-385



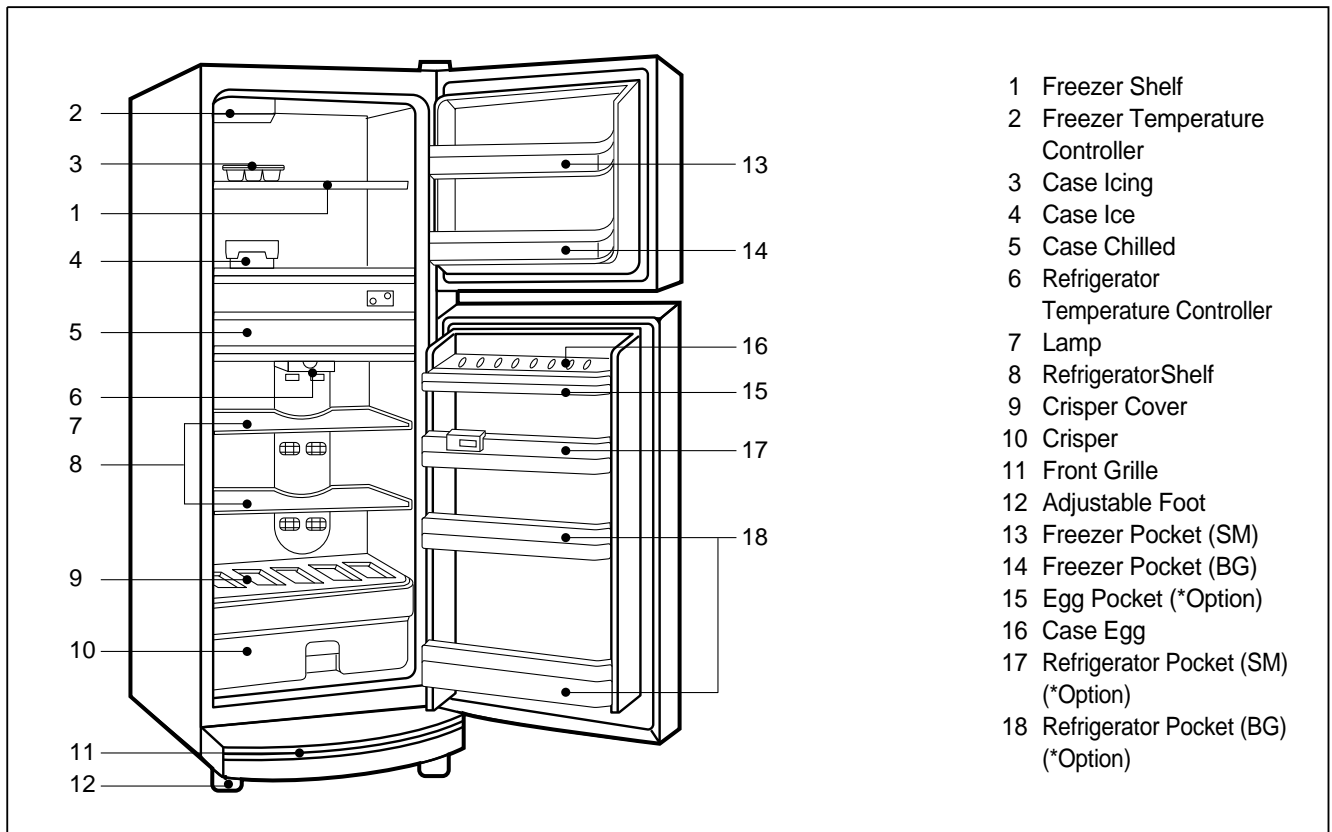
FR-386



3. WIRE DIAGRAM



4. NAME OF PARTS



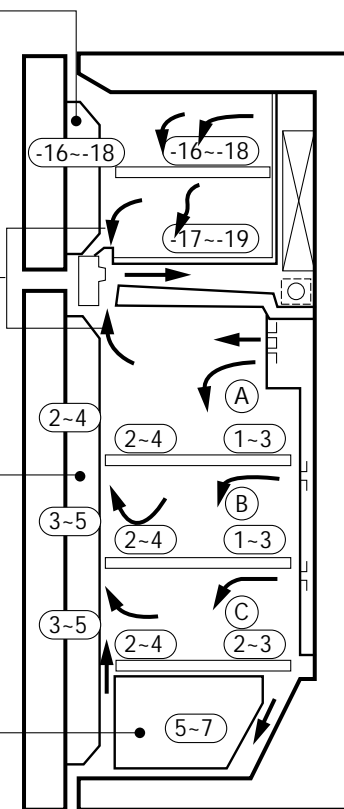
5. AIR FLOW DIAGRAM

Freezer door pocket
Do not put ice cream or frozen food in freezer door pocket to store for a long term. Opening and shutting the door can rise up the temperature.

Cold air absorbing duct
Do not place food in front of the duct because it is the entrance of the cold air.

Refrigerator door pocket
Temperature is high even if the pocket is in the middle.
When storing margarine or cheese for one or two weeks, make use of the refrigerator shelf.

Crisper
Suitable in storing fruits or vegetable.
Wrapping can prevent from dryness.



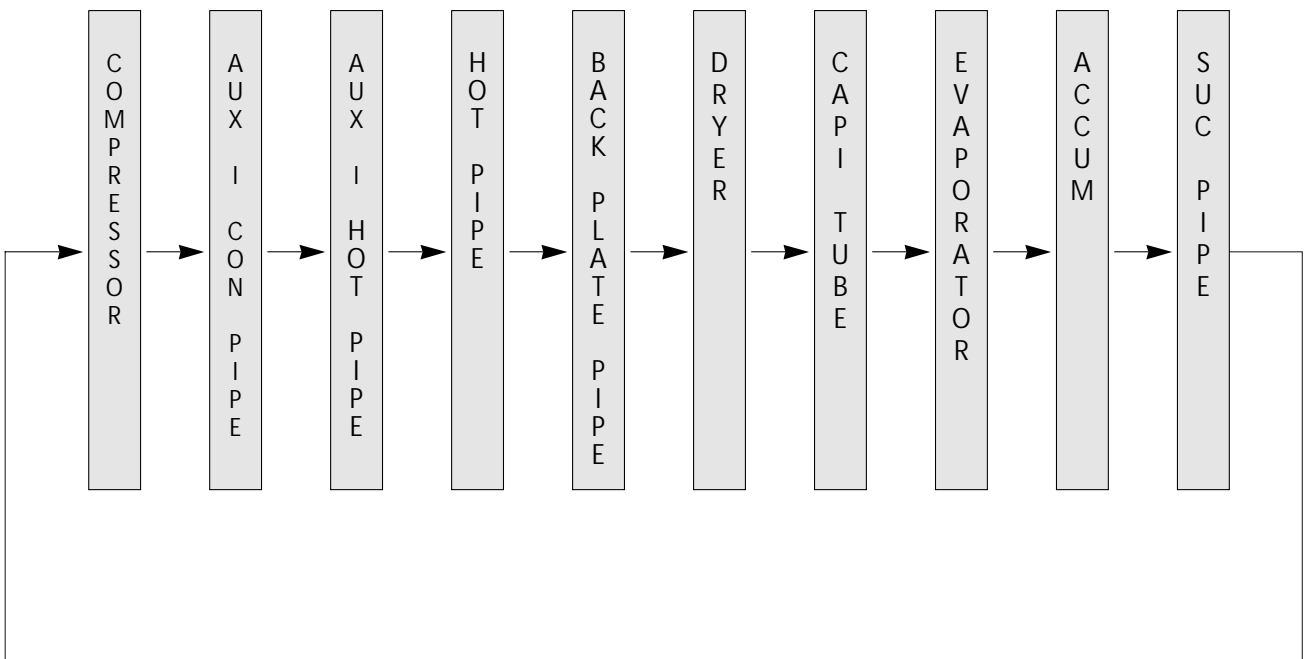
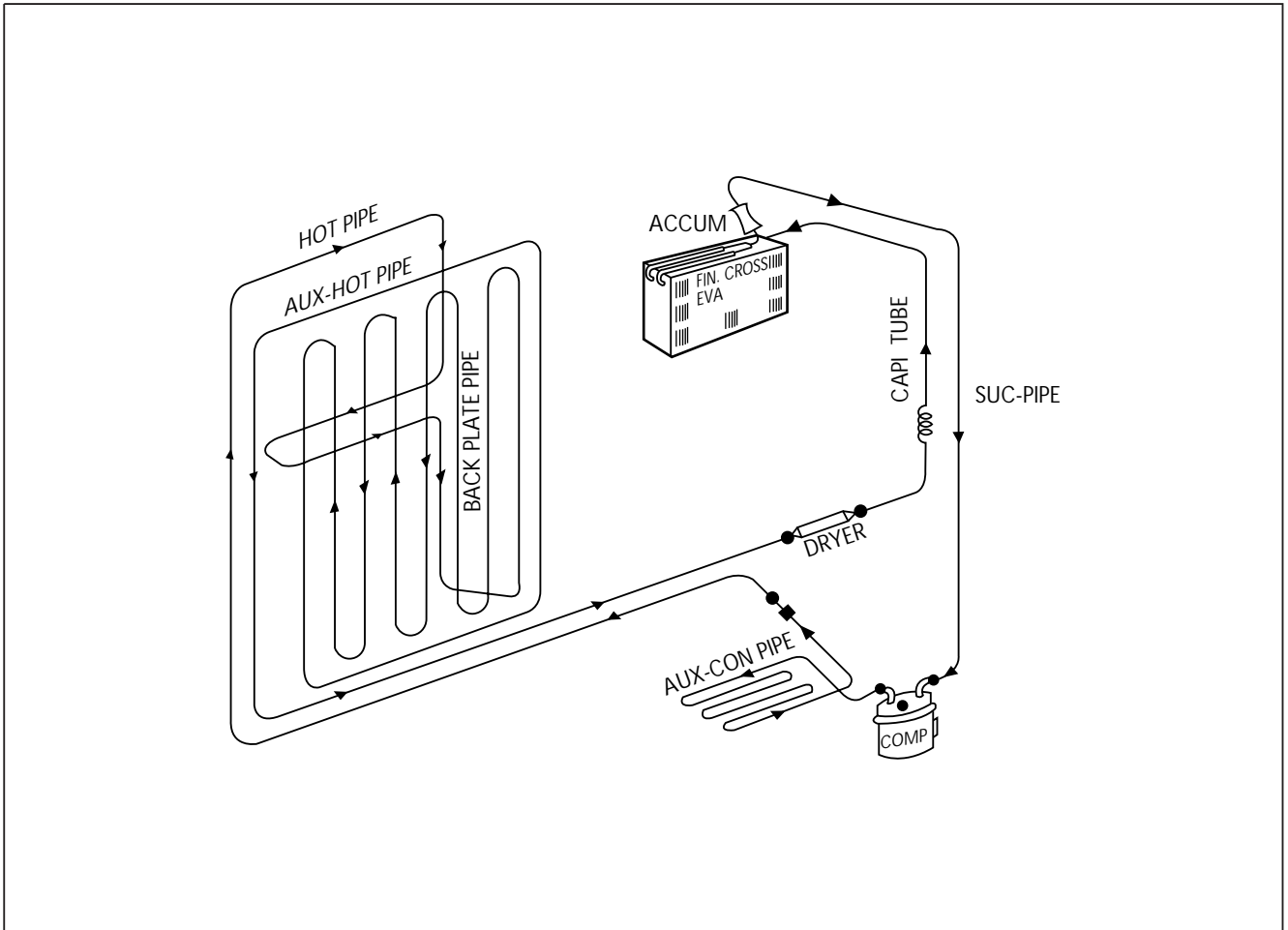
Freezer room
Do not put in any bottle such as beer or beverage because it can be frozen and broken.

Refrigerator room
This model is multi-flow type which flows out cold air from each shelf space. The hot air after making the refrigerator cold, flows into cooling system through the front upper part.

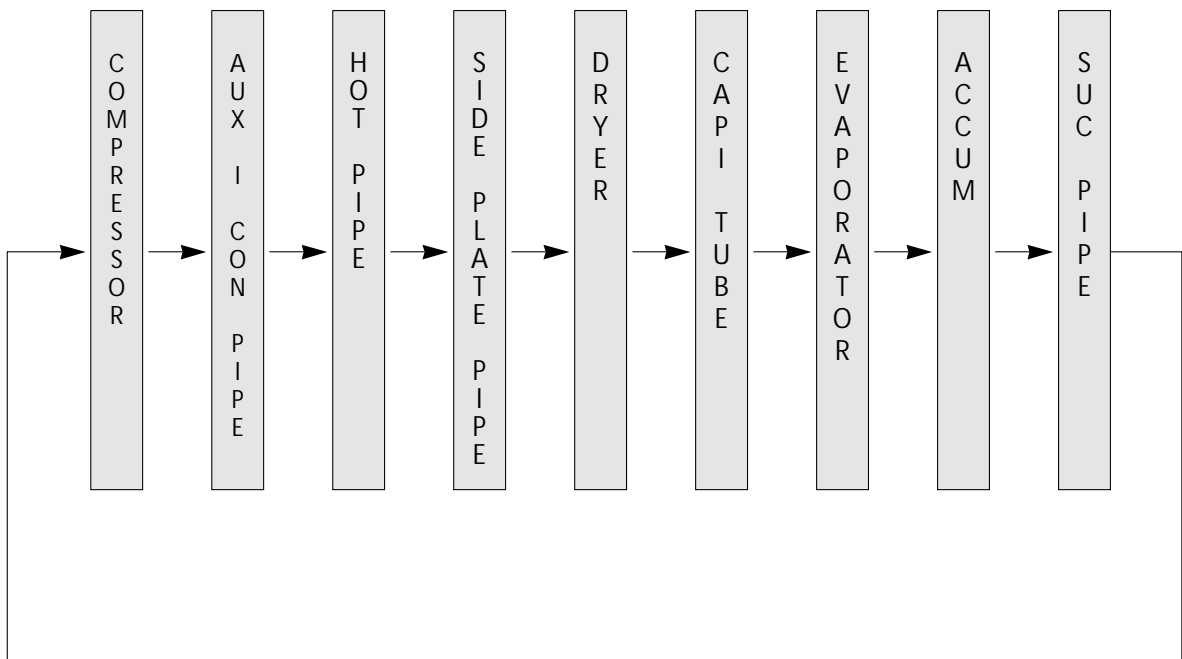
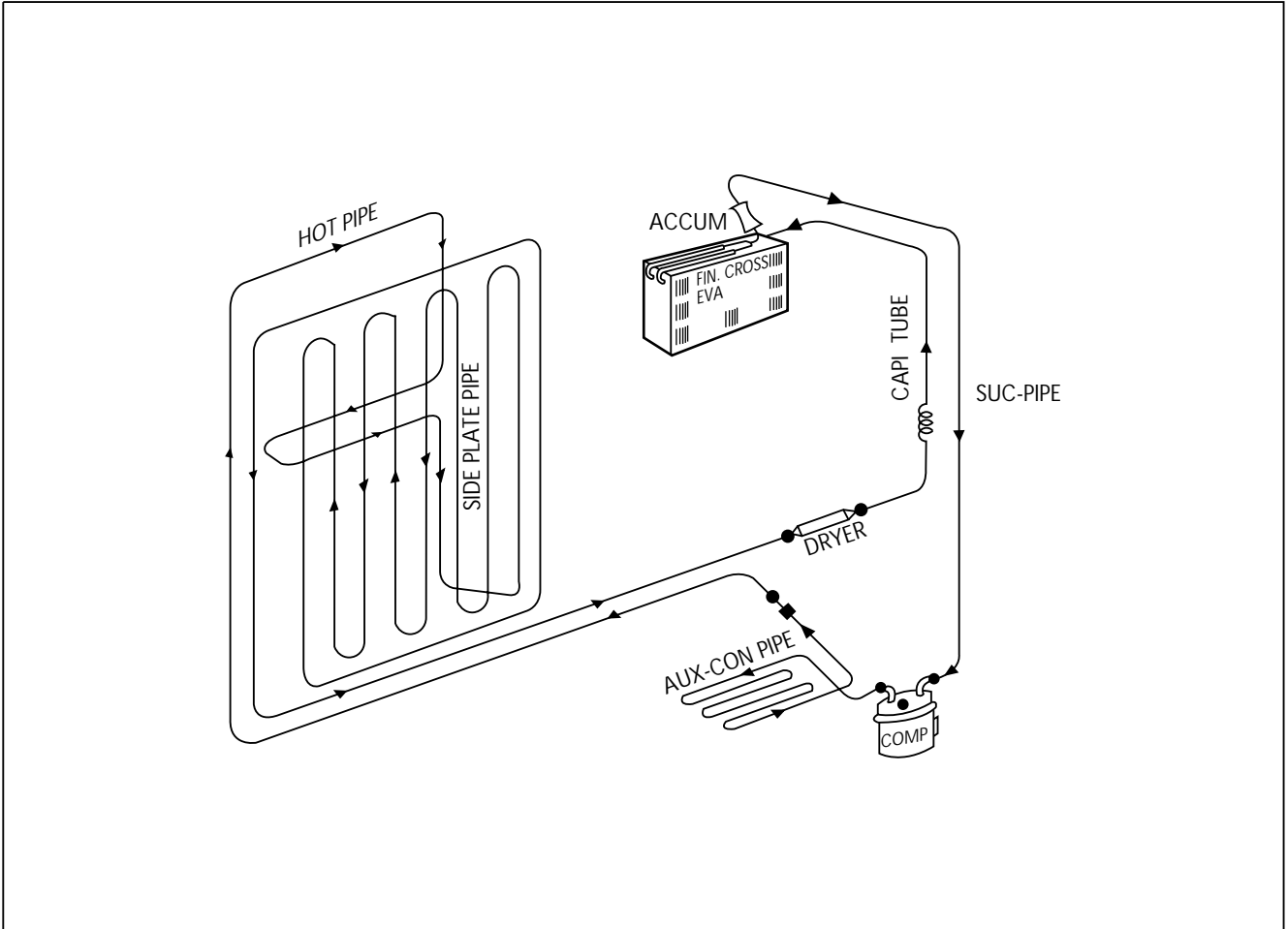
Do not put food having much moisture at the middle part of each shelf space ("A", "B" and "C" part). It can be frozen owing to the low temperature.

6. REFRIGERANT CYCLE DIAGRAM

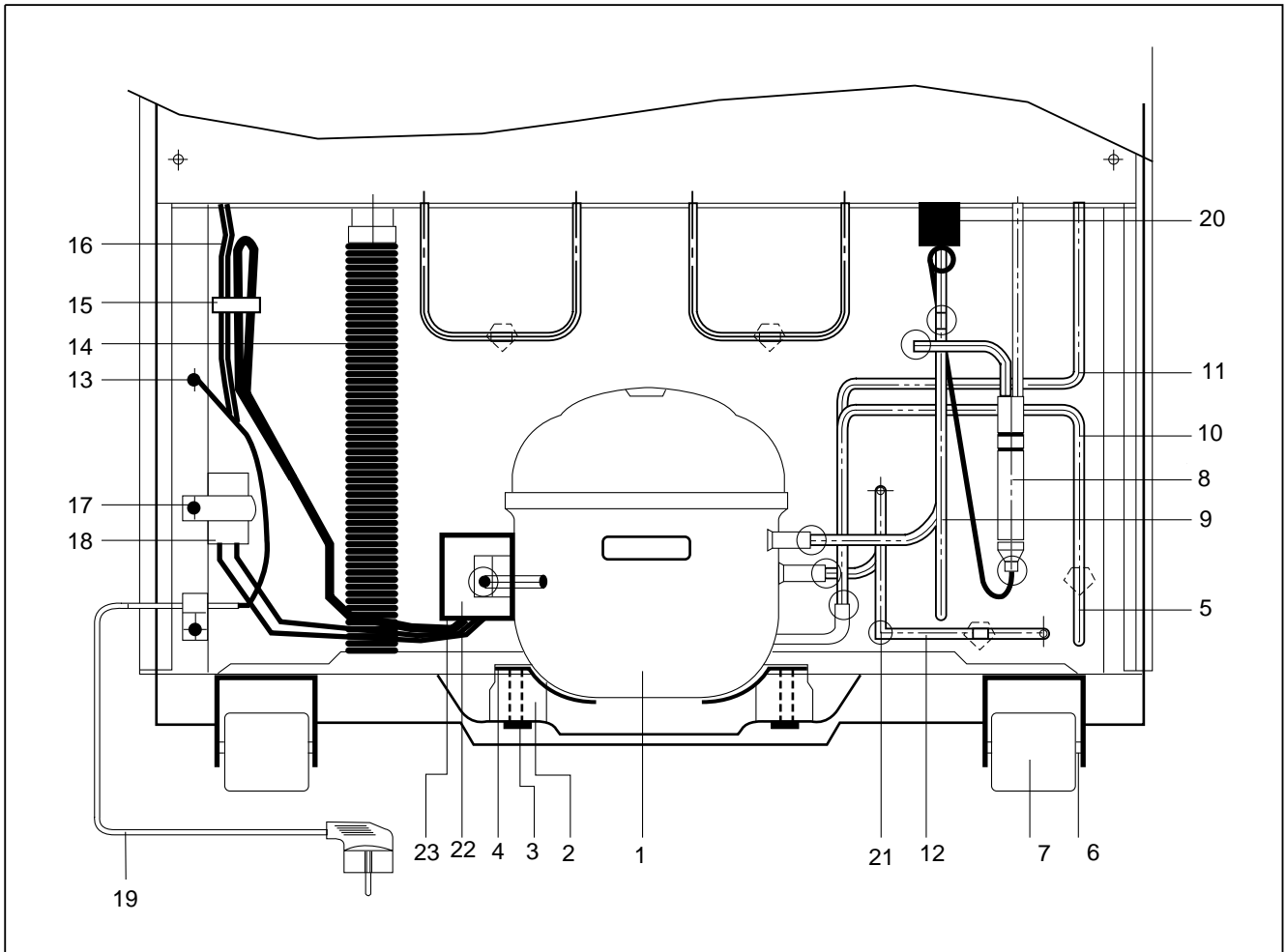
1. FOR MIDDLE ASIA



2. For Other Country



7. MACHINE ROOM VIEW AND PART LIST



NO	PART NAME	NO	PART NAME	NO	PART NAME
1	COMPRESSOR	9	PIPE CON (SUC)	17	CABLE CLAMP
2	ABSORBER	10	PIPE COOLING CON (AUX)	18	STARTING CAPACTOR
3	BOLT COMP. FIXTURE	11	PIPE COOLING (A)	19	POWER CORD
4	FIXTURE COMP. WASHER	12	PIPE CON (P.A)	20	ABSORBER PIPE
5	PLATE AUX-CON AS	13	SCREW MACHINE	21	VIBRATIONPROOF MASS(B)
6	CASTER PIN	14	DRAIN HOSE(B) AS	22	SWITCH P-RELAY AS
7	CASTER	15	TAPE OPP	23	RELAY BAND
8	DRYER AS	16	CEC COVER		

8. MAIN COMPONENTS

1. COMPRESSOR

Refrigerant	R12							
Voltage	100V/50,60Hz	110V/60Hz	115, 120V/60Hz	127V/60Hz	220V/50Hz	220V/60Hz	230V/50Hz	240V/50Hz
Comp. model	EL23YE-3	CL23YE-1-C	X	CL23YE-2-C	SL25YE-5-C	PL23YE-4-C	SL25YE-5-C	X
Part code	3953123A30	3957123C30	X	3957123C30	3954125C80	3956123A40	3954125C80	X
Strating type	RSCR	CSIR	X	CSIR	RSIR	RSCR	RSIR	X

Refrigerant	R134a							
Voltage	100V/50,60Hz	110V/60Hz	115, 120V/60Hz	127V/60Hz	220V/50Hz	220V/60Hz	230V/50Hz	240V/50Hz
Comp. model	HBL23YE-3-C	HBL23YE-3-C	X	X	HSL25YE-5-C	X	X	HSL25YE-5-C
Part code	3952123L30	3953123L30	X	X	3954125L50	X	X	3954125L50
Strating type	CSR	CSR	X	X	RSIR	X	X	RSIR

2. RELAY ASSEMBLY

Refrigerant	R12							
Voltage	100V/50,60Hz	110V/60Hz	115, 120V/60Hz	127V/60Hz	220V/50Hz	220V/60Hz	230V/50Hz	240V/50Hz
Relay model	437THBYY-52	427THBYY-52	X	276THBYY-52	232THBYY-52	197SHBYY-52	232THBY-52	X
Part code	3018101590	3018103020	X	3018109710	3018103040	3018109700	3018103040	X

Refrigerant	R134a							
Voltage	100V/50,60Hz	110V/60Hz	115, 120V/60Hz	127V/60Hz	220V/50Hz	220V/60Hz	230V/50Hz	240V/50Hz
Relay model	414THBYY-52	427THBYY-52	X	X	276THBYY-52	X	X	276THBYY-52
Part code	3018110000	3018108090	X	X	3018105680	X	X	3018105680

3. RUNNING CAPACITOR

Refrigerant	R12							
Voltage	100V/50,60Hz	110V/60Hz	115, 120V/60Hz	127V/60Hz	220V/50Hz	220V/60Hz	230V/50Hz	240V/50Hz
Spec.	200V/5 μ F	X	X	X	X	350V/5 μ F	X	X
Part code		X	X	X	X	400EL15110	X	X

Refrigerant	R134a							
Voltage	100V/50,60Hz	110V/60Hz	115, 120V/60Hz	127V/60Hz	220V/50Hz	220V/60Hz	230V/50Hz	240V/50Hz
Spec.	230V/10 μ F	300V/7 μ F	X	X	X	X	X	X
Part code	400EL15130	3016800400	X	X	X	X	X	X

4. STARTING CAPACITOR

Refrigerant	R12							
Voltage	100V/50,60Hz	110V/60Hz	115, 120V/60Hz	127V/60Hz	220V/50Hz	220V/60Hz	230V/50Hz	240V/50Hz
Spec.	X	140V/100 μ F	X	140V/100 μ F	X	X	X	X
Part code	X	3016400400	X	3016400400	X	X	X	X

Refrigerant	R134a							
Voltage	100V/50,60Hz	110V/60Hz	115, 120V/60Hz	127V/60Hz	220V/50Hz	220V/60Hz	230V/50Hz	240V/50Hz
Spec.	200V/100 μ F	←	X	X	X	X	X	X
Part code	401RD35050	←	X	X	X	X	X	X

5. F-FAN MOTOR

Refrigerant	R12, R134a							
Voltage	100V/50,60Hz	110V/60Hz	115, 120V/60Hz	127V/60Hz	220V/50Hz	220V/60Hz	230V/50Hz	240V/50Hz
Spec.	3210DWNFH-2	←	X	3210DWNFH-2	3210DWNFF-2	←	←	←
Part code	401ND24402	←	X	401ND24402	4019A24402	←	←	←

6. DEFROST HEATER

Refrigerant	R12, R134a							
Voltage	100V/50,60Hz	110V/60Hz	115, 120V/60Hz	127V/60Hz	220V/50Hz	220V/60Hz	230V/50Hz	240V/50Hz
Spec.	148W	←	X	148W	148W	←	←	←
Part code	400EL22311	←	X	400EL22311	400EL22211	←	←	←

7. LAMP ASSEMBLY

Refrigerant	R12, R134a							
Voltage	100V/50,60Hz	110V/60Hz	115, 120V/60Hz	127V/60Hz	220V/50Hz	220V/60Hz	230V/50Hz	240V/50Hz
Spec.	15W	←	X	15W	15W	←	←	←
Part code	400EL20111	←	X	400EL20111	3013606000	←	←	←

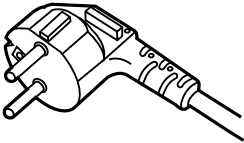
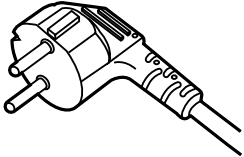
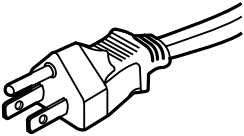
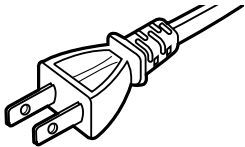
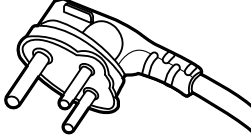
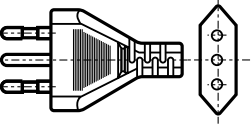
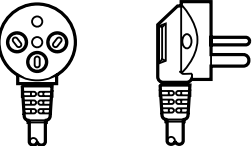
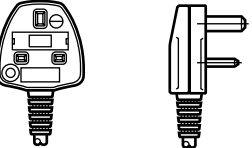
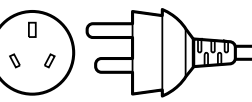
8. DEFROST TIMER

Refrigerant	R12, R134a							
Voltage	100V/50,60Hz	110V/60Hz	115, 120V/60Hz	127V/60Hz	220V/50Hz	220V/60Hz	230V/50Hz	240V/50Hz
Spec.	TMDEX09UA1	←	X	TMDEX09UA1	TMDEX09UM1	←	←	←
Part code	3018101200	←	X	3018101200	3018100310	←	←	←

9. DRYER

Refrigerant	R12	R134a
Spec.	10 g	15 g
Part code	3016800103	3016801100

POWER CORD SPECIFICATION

NO	SHAPE OF POWER CODE	PART CODE	DESCRIPTION	REMARK
1		3011315000	CP-2PIN	FOR EUROPEAN COUNTRY
2		401RA17200	CP-2PIN	FOR OTHER COUNTRY
3		4006D17101	KP-30	FOR AMERICA
4		401PD17101	KP-211	FOR JAPAN & TAIWAN
5		3011300801	BP-3PIN	
6		3011303010	#267	FOR CHILE
7		3011315310		FOR ISRAEL
8		3011303050	BS-1363A	FOR U.K, MIDDLE ASIA SINGAPORE & MALAYSIA
9		3011301200	KP-551/550	FOR CHINA & AUSTRALIA

* Upper power cord's part code is only for lead wire, without any kinds of terminal or housing.

9. DOOR COLOR SPECIFICATION

1. ASSEMBLY URETHAN FREEZER DOOR

1) FR-350, 385

Refrigerant	R12				R134a			
Color type	Dull lamina sheet	High glossy lamina sheet	Normal PCM	High glossy bright PCM	Dull lamina sheet	High glossy lamina sheet	Normal PCM	High glossy bright PCM
Part code	X	X	X	PFDT1UG450	X	X	X	PFDT1UG455

2) FR-351, 386

Refrigerant	R12				R134a			
Color type	Dull lamina sheet	High glossy lamina sheet	Normal PCM	High glossy bright PCM	Dull lamina sheet	High glossy lamina sheet	Normal PCM	High glossy bright PCM
Part code	X	X	X	PFDT1UG100	X	X	X	PFDT1UG105

2. ASSEMBLY URETHAN REFRIGERATOR DOOR

1) FR-350, 385

Refrigerant	R12				R134a			
Color type	Dull lamina sheet	High glossy lamina sheet	Normal PCM	High glossy bright PCM	Dull lamina sheet	High glossy lamina sheet	Normal PCM	High glossy bright PCM
Part code	X	X	X	PFDU2UG380	X	X	X	PFDU2UG385

2) FR-351, 386

Refrigerant	R12				R134a			
Color type	Dull lamina sheet	High glossy lamina sheet	Normal PCM	High glossy bright PCM	Dull lamina sheet	High glossy lamina sheet	Normal PCM	High glossy bright PCM
Part code	X	X	X	PFDU2UG100	X	X	X	PFDU2UG105

COLOR TABLE

1. PCM type

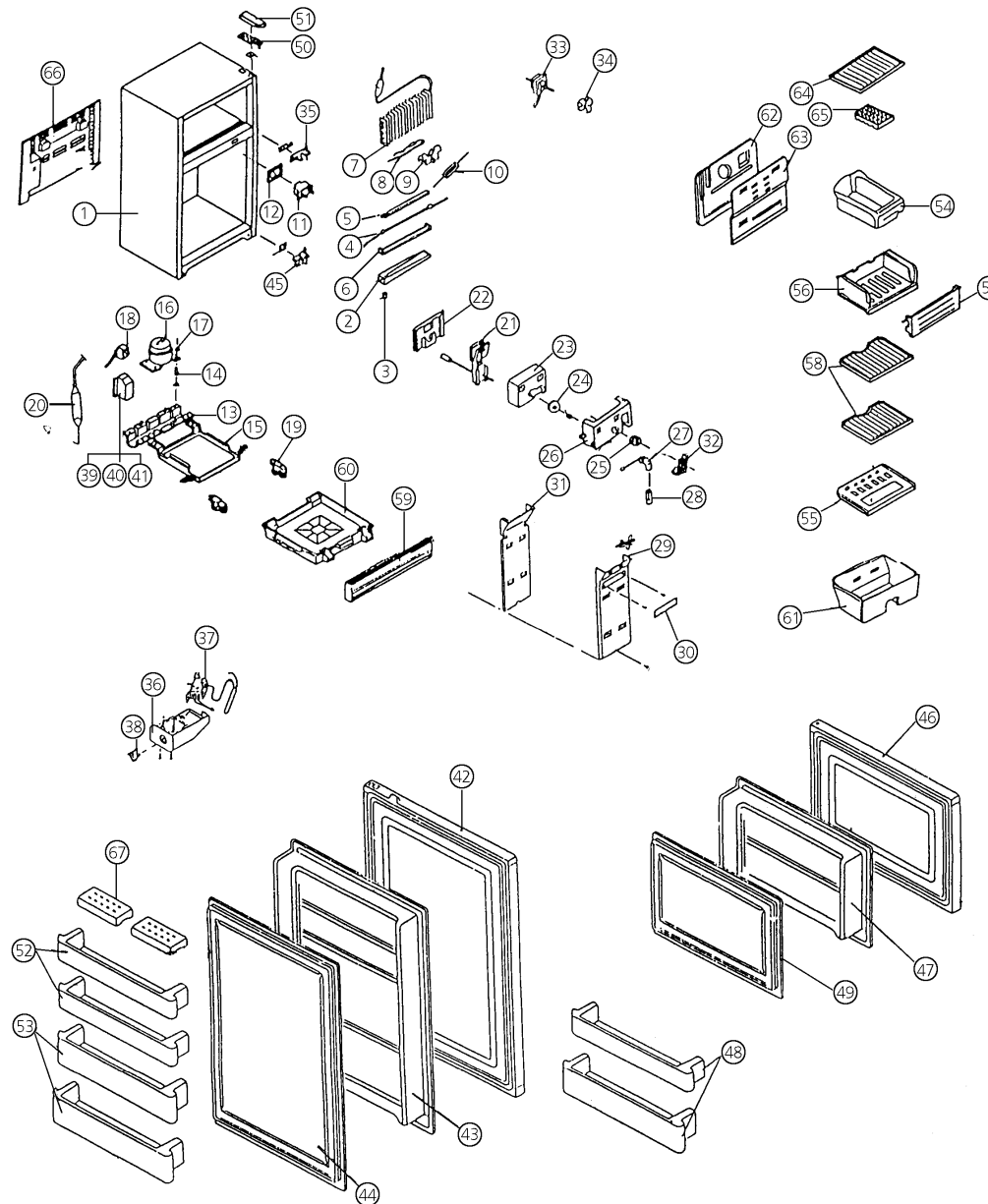
NO	COLOR CHIP	COLOR NAME
1		P/WITH (WH069)
2		'94 L/GRAY (GY158)
3		'95 L/GRAY (GY259)
4		'94 M/GRAY (GY331)
5		'95 M/GRAY (GY335)
6		'97 M/GRAY (GY267)
7		M. D/GRAY (GY750)
8		N/BUE (BL718)
9		MINT GREEN (GN206)
10		'97 BEIGE (BE215)

2. Lamina sheet type

NO	COLOR CHIP	COLOR NAME
1		P/WITH (WH069)
2		'94 L/GRAY (GY158)
3		'95 L/GRAY (GY259)
4		'94 M/GRAY (GY331)
5		'95 M/GRAY (GY335)
6		'97 M/GRAY (GY267)
7		M. D/GRAY (GY750)
8		N/BLUE (BL718)
9		MINT GREEN (GN206)
10		S/GOLD
11		G/GREEN

10. EXPLODED VIEW AND PARTS LIST

1. Exploded view



2. Parts list

✓ **Caution** : In this Service Manual, some parts can be changed for improving, their performance without notice in the parts list.
So, if you need the latest parts information, please refer to PPL (Parts Price List) in Service Information Center
(<http://svc.dwe.co.kr>)

FR-350

NO	PART CODE	PART NAME	DESCRIPTION	QUANTITY	REMARK
1		ASSY URT CAB		1	
2	4018G57110	GUIDE DRN *O		1	
3	4018G54120	PIPE DRN	AL T1.0	1	
4		HTR GLASS TUBE AS		1	REFER TO # 11
5	4017Z73570	COVER DEFR HTR *T	AL	1	
6	4017Z73580	COVER DEFR HTR *U	AL	1	
7	4018G03107	EVAPORATOR AS		1	
8	4019H23013	FUSE TEMP AS	77°C off	1	
9	4017Z90590	FIXTURE FUSE TEMP	PP	1	
10	3018100201	SWITCH BIMETAL AS	9°C off	1	
11	3010023400	SWITCH DR AS		1	
12	4010E16411	COVER DR SWITCH		1	
13	3010302800	BASE COMP		1	
14	3010100201	ABSORBER COMP	NR H=40	4	
15	3014503701	PLATE AXCON AS	SGCC	1	
16		COMPRESSOR		1	REFER TO # 10
17	4019H09030	SPECIAL WASHER	SWRH	4	
18		SWITCH P RELAY AS		1	REFER TO # 10
19	4017Z40622	FOOT *F ASS		2	
20		DRYER AS		1	RFEER TO # 11
21	3010003900	DAMPER R AS		1	
22	4017Z31272	INSULATOR DAMP B	F-PS	1	
23	4010C31261	INSULATOR DAMP A	F-PS	1	
24	4017G32670	GEAR	ABS	1	
25	4017Z18180	KNOB	ABS	1	
26	3011404301	COVER R DAMP	HIPS	1	
27	400EL19311	SOCKET LAMP AS		1	
28		LAMP AS		1	REFER TO # 11
29	4010C75212	DUCT MULTI	HIPS	1	
30	4010C75252	LABEL DUCT		1	
31	4010C75232	INSULATOR M/F DUCT	F-PS 0.033	1	
32	4017Z87570	SHADE R	HC-2	1	
33		MOTOR SHADED AS		1	REFER TO # 11
34	4017Z42312	FAN	ABS	1	
35	3012900630	HINGE *M AS	ZN DC-2	1	
36	3010500403	BOX CONTL	HIPS	1	
37	3018300401	THERMOSTAT	B-359-1	1	
38	4017G31041	KNOB C/S	ABS	1	
39	3010504500	BOX POWER	PP(V-251)	1	

NO	PART CODE	PART NAME	DESCRIPTION	QUANTITY	REMARK
40	401NA29101	HOLDER DEFR TIMER	PP	1	
41		TIMER		1	REFER TO # 11
42		ASSY URT *U DOOR		1	REFER TO # 13
43	4010E37012	LINR R DR	ABS 1.4 X691 X1094	1	
44	4010E47200	GASKET R DR AS	PVC-S+NR+MAGNET 33	1	
45	3012900401	HINGE *U AS	MF-ZN5-C	1	
46		ASSY URT *T DOOR		1	REFER TO # 13
47	4010E46016	LINR F DR	ABS 1.4 X691 X1031	1	
48	4018G35011	POCKET F *T	HC-2	2	
49	4010E47100	GASKET F DR AS	PVC-S+NR+MAGNET 33	1	
50	3012900202	HINGE *T AS	SPHC (ZN-8-C)	1	
51	3010900602	CAP *T HI	PP	1	
52	4018G35113	POCKET EGG	HIPS	2	
53	4017Z68414	POCKET BOTL	HIPS	2	
54	4017Z99112	CASE ICE	HC-2	1	
55	3011412001	COVER V/CASE AS		1	
56	3010100011	CASE CHILD		1	
57	3011703201	DOOR CHILD AS		1	
58	4010C55211	SHELF R		2	
59	3011409600	COVER CAB BRKT	HIPS LUCKY 70HG	1	
60	4017Z91110	CASE VAPORI	PP	1	
61	4018G30011	CRISPER	HC-2	1	
62	4018G74108	INSULATOR F LUVR AS		1	
63	4010E74011	LOVR F	P.P	1	
64	4010C55112	SHELF F		1	
65	4010G56011	CASE ICING	PE-HD	1	
66	4019C00135	COVER MECH ROOM	P.P(V-251)	1	
67	4017Z97171	CASE EGG		2	

✓ **Caution** : In this Service Manual, some parts can be changed for improving, their performance without notice in the parts list.
 So, if you need the latest parts information, please refer to PPL (Parts Price List) in Service Information Center
 (<http://svc.dwe.co.kr>)

FR-351

NO	PART CODE	PART NAME	DESCRIPTION	QUANTITY	REMARK
1		ASSY URT CAB		1	
2	4018G57110	GUIDE DRN *O		1	
3	4018G54120	PIPE DRN	AL T1.0	1	
4		HTR GLASS TUBE AS	148W	1	REFER TO # 11
5	4017Z73570	COVER DEFR HTR *T	AL	1	
6	4017Z73580	COVER DEFR HTR *U	AL	1	
7	4018G03107	EVAPORATOR AS		1	
8	4019H23013	FUSE TEMP AS	77°C off	1	
9	4017Z90590	FIXTURE FUSE TEMP	PP	1	
10	3018100603	SWITCH BIMETAL AS	9°C off	1	
11	3010023400	SWITCH DR AS		1	
12	4010E16411	COVER DR SWITCH		1	
13	3010302800	BASE COMP		1	
14	3010100201	ABSORBER COMP	NR H=40	4	
15	3014503701	PLATE AXCON AS	A-TAPE	1	
16		COMPRESSOR		1	REFER TO # 10
17	4019H09030	SPECIAL WASHER	SWRH	4	
18		SWITCH P RELAY AS		1	REFER TO # 10
19	4017Z40622	FOOT *F ASS		2	
20		DRYER AS		1	RFEER TO # 11
21	3010003900	DAMPER R AS		1	
22	4017Z31272	INSULATOR DAMP B	F-PS	1	
23	4010C31261	INSULATOR DAMP A	F-PS	1	
24	4017G32670	GEAR	ABS	1	
25	4017Z18180	KNOB	ABS	1	
26	3011404301	COVER R DAMP	HIPS	1	
27	400EL19311	SOCKET LAMP AS		1	
28		LAMP AS		1	REFER TO # 11
29	4010C75212	DUCT MULTI	HIPS	1	
30	4010C75252	LABEL DUCT		1	
31	4010C75232	INSULATOR M/F DUCT	F-PS	1	
32	4017Z87570	SHADE R	HC-2	1	
33		MOTOR SHADED AS		1	REFER TO # 11
34	4017Z42312	FAN	ABS	1	
35	3012900630	HINGE *M AS	ZN DC-2	1	
36	3010500403	BOX CONTL	HIPS	1	
37	3018300401	THERMOSTAT	B-359-1	1	
38	4017G31041	KNOB C/S	ABS	1	
39	3010504500	BOX POWER	PP(V-251)	1	

NO	PART CODE	PART NAME	DESCRIPTION	QUANTITY	REMARK
40	401NA29101	HOLDER DEFR TIMER	PP	1	
41		TIMER		1	REFER TO # 11
42		ASSY URT *U DOOR		1	REFER TO # 13
43	4010E37012	LINR R DR	ABS 1.4 X691 X1094	1	
44	4010E47200	GASKET R DR AS	PVC-S+NR+MAGNET 33	1	
45	3012900401	HINGE *U AS	MF-ZN5-C	1	
46		ASSY URT *T DOOR		1	REFER TO # 13
47	4010E46016	LINR F DR	ABS 1.4 X691 X1031	1	
48	4018G35011	POCKET F *T	HC-2	2	
49	4010E47100	GASKET F DR AS	PVC-S+NR+MAGNET 33	1	
50	3012900202	HINGE *T AS	SPHC (ZN-8-C)	1	
51	3010900602	CAP *T HI	PP	1	
52	4018G35113	POCKET EGG	HIPS	2	
53	4017Z68414	POCKET BOTL	HIPS	2	
54	4017Z99112	CASE ICE	HC-2	1	
55	3011412001	COVER V/CASE AS		1	
56	3010100011	CASE CHILD		1	
57	3011703201	DOOR CHILD AS		1	
58	4010C55211	SHELF R		2	
59	3011409600	COVER CAB BRKT	HIPS LUCKY 70HG	1	
60	4017Z91110	CASE VAPORI	PP	1	
61	4018G30011	CRISPER	HC-2	1	
62	4018G74108	INSULATOR F LUVR AS		1	
63	4010E74011	LOVR F	P.P	1	
64	4010C55112	SHELF F		1	
65	4010G56011	CASE ICING	PE-HD	1	
66	4019C00135	COVER MECH ROOM	P.P(V-251)	1	
67	4017Z97171	CASE EGG		2	

✓ **Caution** : In this Service Manual, some parts can be changed for improving, their performance without notice in the parts list.
 So, if you need the latest parts information, please refer to PPL (Parts Price List) in Service Information Center
 (<http://svc.dwe.co.kr>)

FR-385

NO	PART CODE	PART NAME	DESCRIPTION	QUANTITY	REMARK
1		ASSY URT CAB		1	
2	4018G57110	GUIDE DRN *O		1	
3	4018G54120	PIPE DRN	AL T1.0	1	
4		HTR GLASS TUBE AS		1	REFER TO # 11
5	4017Z73570	COVER DEFR HTR *T	AL	1	
6	4017Z73580	COVER DEFR HTR *U	AL	1	
7	4018G03107	EVAPORATOR AS		1	
8	4019H23013	FUSE TEMP AS	77°C off	1	
9	4017Z90590	FIXTURE FUSE TEMP	PP	1	
10	3018100603	SWITCH BIMTL AS	9°C off	1	
11	3010023400	SWITCH DR AS		1	
12	4010E16411	COVER DR SWITCH		1	
13	3010302800	BASE COMP		1	
14	3010100201	ABSORBER COMP	NR H=40	4	
15	3014503701	PLATE AXCON AS	SGCC A-TAPE	1	
16		COMPRESSOR		1	REFER TO # 10
17	4019H09030	SPECIAL WASHER	SWRH	4	
18		SWITCH P RELAY AS		1	REFER TO # 10
19	4019C40103	FOOT *F ASS		2	
20		DRYER AS		1	REFER TO # 11
21	3010003900	DAMPER R AS		1	
22	4017Z313272	INSULATOR DAMP B	F-PS	1	
23	4010C31261	INSULATOR DAMP A	F-PS	1	
24	4017G32670	GEAR	ABS	1	
25	4017Z18180	KNOB	ABS	1	
26	3011404301	COVER R DAMP	HIPS	1	
27	400EL19311	SOCKET LAMP AS		1	
28		LAMP AS		1	REFER TO # 11
29	4010C75212	DUCT MULTI	HIPS	1	
30	4010C75252	LABEL DUCT		1	
31	4010C75232	INSULATOR M/F DUCT	F-PS	1	
32	4017Z87570	SHADE R		1	
33		MOTOR SHADED AS		1	REFER TO # 11
34	4017Z42312	FAN	ABS	1	
35	3012900630	HINGE *M AS	ZN DC-2	1	
36	3010500403	BOX CONTL	HIPS	1	
37	3018300401	THERMOSTAT	B-359-1	1	
38	4017G31041	KNOB C/S	ABS	1	
39	3010504500	BOX POWER	PP(V-251)	1	

NO	PART CODE	PART NAME	DESCRIPTION	QUANTITY	REMARK
40	401NA29101	HOLDER DEFR TIMER	PP	1	
41		TIMER		1	REFER TO # 11
42		ASSY URT *U DOOR		1	REFER TO # 13
43	4010E37012	LINR R DR	ABS 1.4 X 691 X 1094	1	
44	4010E47200	GASKET R DR AS	PVC-S+NR+MAGNET 33	1	
45	3012900401	HINGE *U AS	MF-ZN5-C	1	
46		ASSY URT*T DOOR		1	REFER TO # 13
47	4010E46016	LINR F DR	ABS 1.4 X 691 X 1031	1	
48	4018G35011	POCKET F *T	HC-2	2	
49	4010E47100	GASKET F DR AS	PVC-S+NR+MAGNET 33	1	
50	3012900202	HINGE *T AS	SPHC (ZN-8-C)	1	
51	3010900602	CAP *T HI	PP	1	
52	4018G35113	POCKET EGG	HIPS	2	
53	4017Z68414	POCKET BOTL	HIPS	2	
54	4017Z99112	CASE ICE	HC-2	1	
55	3011413001	COVER V/CASE AS		1	
56	4010E30312	CASE CHILD		1	
57	3011703201	DOOR CHILD AS		1	
58	4010E55211	SHELF R	GPS	2	
59	4010E44514	COVER CAB BRKT	PP	1	
60	4017Z91110	CASE VAPORI	PP	1	
61	4018G30011	CRISPER	HC-2	1	
62	4018G74108	INSULATOR F LUVR AS		1	
63	4010E74011	LOVER F	PP	1	
64	4010E55112	SHELF F		1	
65	4010G56011	CASE ICING	PE-HD	1	
66	4017Z1068A	COVER MECH ROOM	PP (JI-36)	1	
67	4017Z97171	CASE EGG		2	

✓ **Caution** : In this Service Manual, some parts can be changed for improving, their performance without notice in the parts list.
 So, if you need the latest parts information, please refer to PPL (Parts Price List) in Service Information Center
 (<http://svc.dwe.co.kr>)

FR-386

NO	PART CODE	PART NAME	DESCRIPTION	QUANTITY	REMARK
1		ASSY URT CAB		1	
2	4018G57110	GUIDE DRN *O		1	
3	4018G54120	PIPE DRN	AL T1.0	1	
4		HTR GLASS TUBE AS		1	REFER TO # 11
5	4017Z73570	COVER DEFR HTR *T	AL	1	
6	4017Z73580	COVER DEFR HTR *U	AL	1	
7	4018G03107	EVAPORATOR AS		1	
8	4019H23013	FUSE TEMP AS	77°C off	1	
9	4017Z90590	FIXTURE FUSE TEMP	PP	1	
10	3018100603	SWITCH BIMTL AS	9°C off	1	
11	3010023400	SWITCH DR AS		1	
12	4010E16411	COVER DR SWITCH		1	
13	3010302800	BASE COMP		1	
14	3010100201	ABSORBER COMP	NR H=40	4	
15	3014503701	PLATE AXCON AS	SGCC A-TAPE	1	
16		COMPRESSOR		1	REFER TO # 10
17	4019H09030	SPECIAL WASHER	SWRH	4	
18		SWITCH P RELAY AS		1	REFER TO # 10
19	4019C40103	FOOT *F ASS		2	
20		DRYER AS		1	REFER TO # 11
21	3010003900	DAMPER R AS		1	
22	4017Z313272	INSULATOR DAMP B	F-PS	1	
23	4010C31261	INSULATOR DAMP A	F-PS	1	
24	4017G32670	GEAR	ABS	1	
25	4017Z18180	KNOB	ABS	1	
26	3011404301	COVER R DAMP	HIPS	1	
27	3017903000	SOCKET F LAMP AS		1	
28		LAMP AS		1	REFER TO # 11
29	4010C75212	DUCT MULTI	HIPS	1	
30	4010C75252	LABEL DUCT		1	
31	4010C75232	INSULATOR M/F DUCT	F-PS	1	
32	4017Z87570	SHADE R		1	
33		MOTOR SHADED AS		1	REFER TO # 11
34	4017Z42312	FAN	ABS	1	
35	3012900630	HINGE *M AS	ZN DC-2	1	
36	3010500403	BOX CONTL	HIPS	1	
37	3018300401	THERMOSTAT	B-359-1	1	
38	4017G31041	KNOB C/S	ABS	1	
39	3010504500	BOX POWER		1	

NO	PART CODE	PART NAME	DESCRIPTION	QUANTITY	REMARK
40	401NA29101	HOLDER DEFR TIMER		1	
41		TIMER		1	REFER TO # 11
42		ASSY URT *U DOOR		1	REFER TO # 13
43	4010E37012	LINR R DR	ABS 1.4 X691 X1094	1	
44	4010E47200	GASKET R DR AS	PVC-S+NR+MAGNET 33	1	
45	3012900401	HINGE *U AS	MF-ZN5-C	1	
46		ASSY URT*T DOOR		1	REFER TO # 13
47	4010E46016	LINR F DR	ABS 1.4 X691 X1031	1	
48	4018G35011	POCKET F *T	HC-2	2	
49	4010E47100	GASKET F DR AS	PVC-S+NR+MAGNET 33	1	
50	3012900202	HINGE *T AS	SPHC (ZN-8-C)	1	
51	3010900602	CAP *T HI	PP	1	
52	4018G35113	POCKET EGG	HIPS	2	
53	4017Z68414	POCKET BOTL	HIPS	2	
54	4017Z99112	CASE ICE	HC-2	1	
55	3011413001	COVER V/CASE AS		1	
56	4010E30312	CASE CHILD		1	
57	3011703201	DOOR CHILD AS		1	
58	4010E55211	SHELF R	GPS	2	
59	4010E44514	COVER CAB BRKT	PP	1	
60	4017Z91110	CASE VAPORI	PP	1	
61	4018G30011	CRISPER	HC-2	1	
62	4018G74108	INSULATOR F LUVR AS		1	
63	4010E74011	LOVER F	PP	1	
64	4010E55112	SHELF F		1	
65	4010G56011	CASE ICING	PE-HD	1	
66	4017Z1068A	COVER MECH ROOM	PP(JI-36)	1	
67	4017Z97171	CASE EGG		2	